

CHANGELOG

0.1 (1st May, 08)
Initial release

CONTENTS

- 01 TITLE PAGE
- 02 DSP
- 03 SDRAM & BOOT FLASH
- 04 CODEC
- 05 USB & IO
- 06 SD CARD
- 07 POWER

DSPdap-2

A DSP based Digital Audio Player

<http://dspdap.sourceforge.net>

Title: TITLE PAGE				
Size	Document Number	Author		Rev.
A	dspdap2/0.1	Roger Q.		0.1
Date:	Thursday, May 01, 2008		Sheet	1 of 7

D

D

C

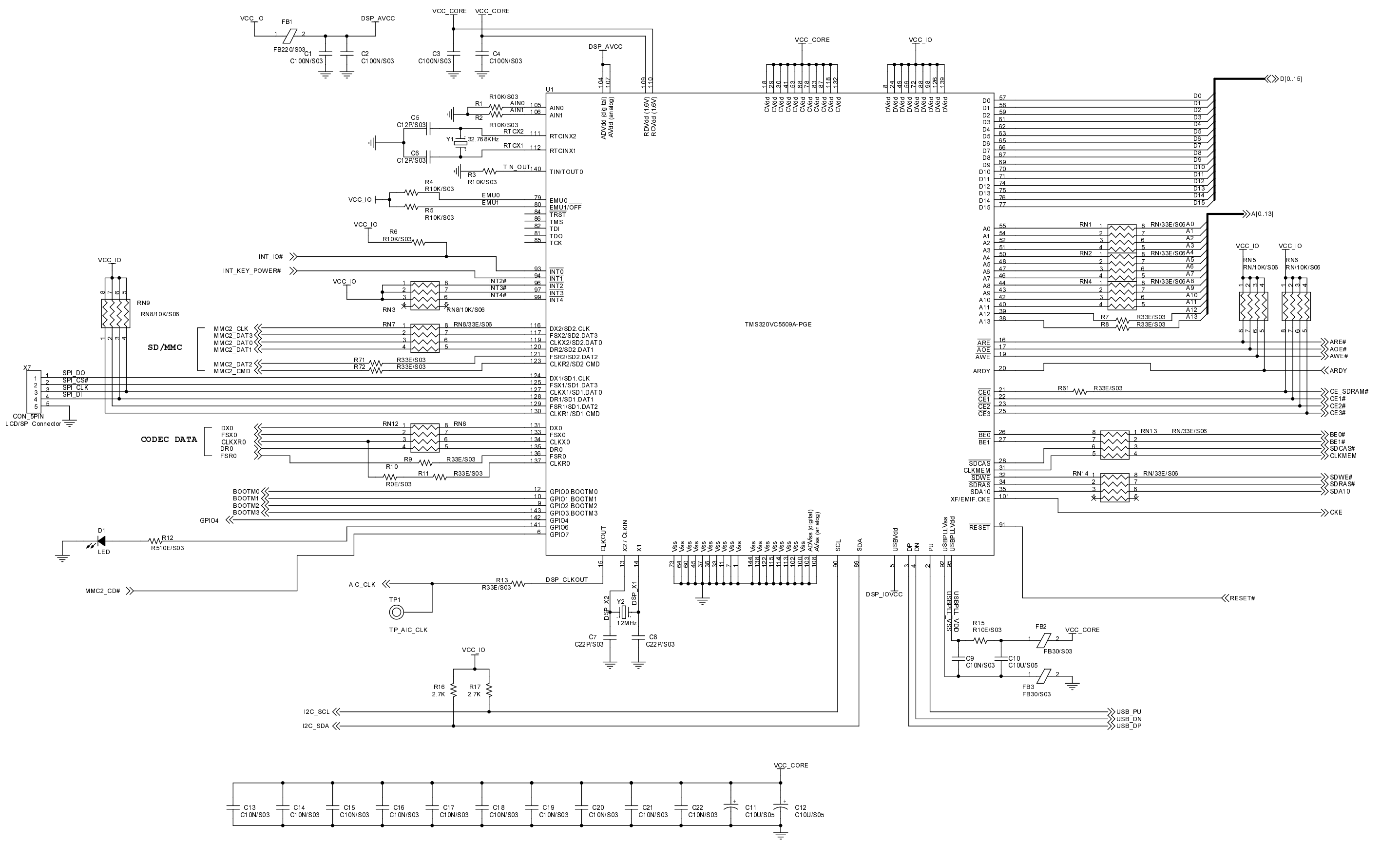
C

B

B

A

A

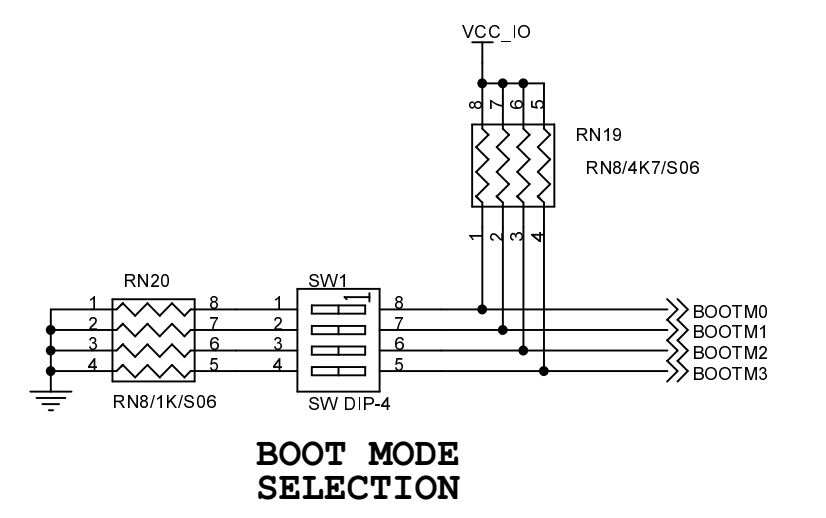
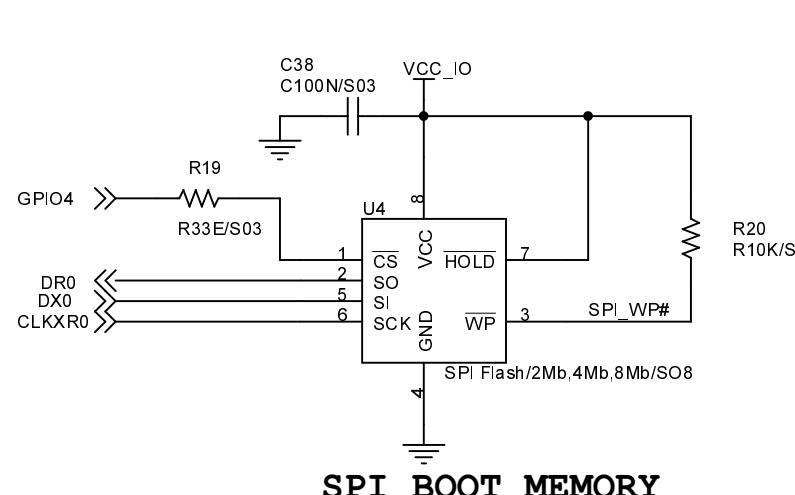
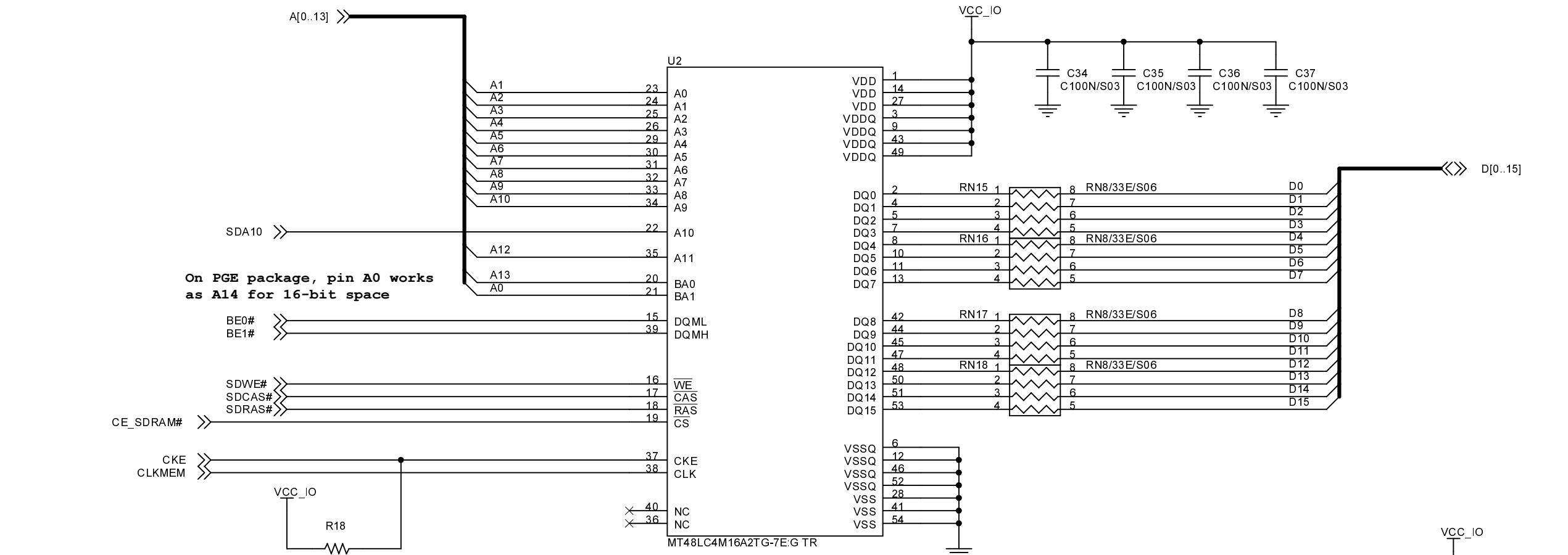


DSPdap-2
A DSP based Digital Audio Player
<http://dspdap.sourceforge.net>

Title: DSP

Size	Document Number	Author	Rev
C	dsdpap2/0.1	Roger O.	0.1

Date: Thursday, May 01, 2008 Sheet 2 of 7



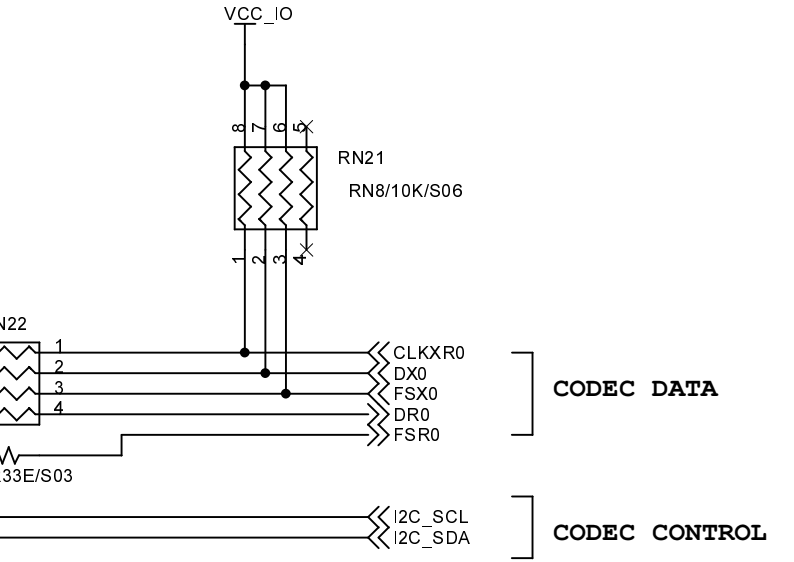
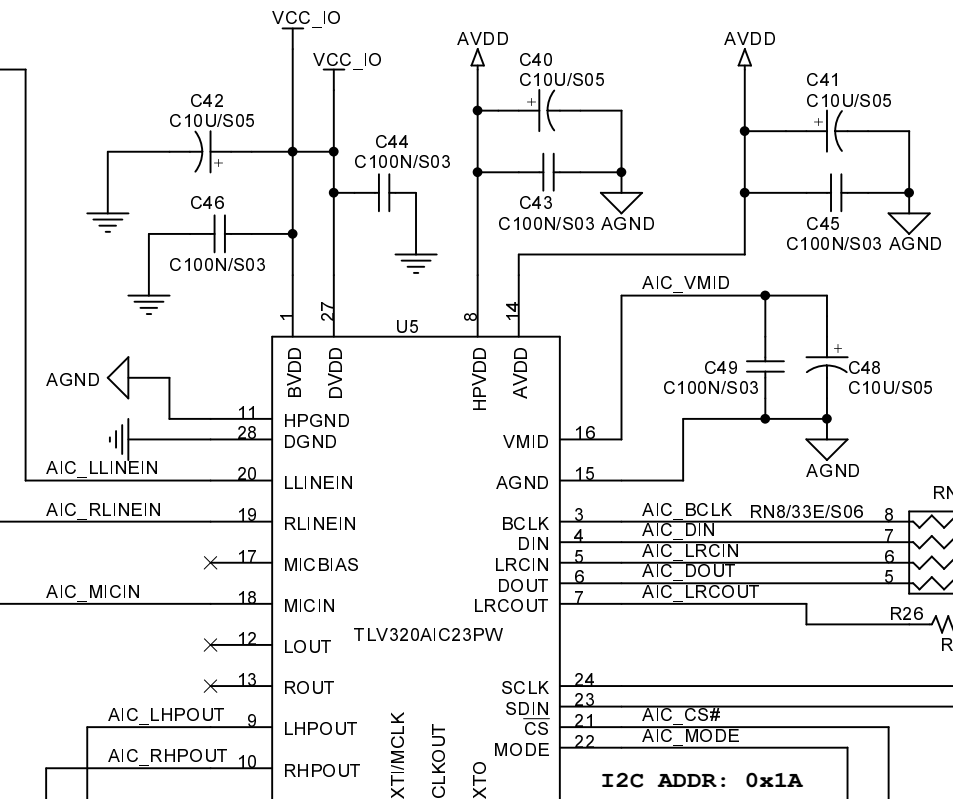
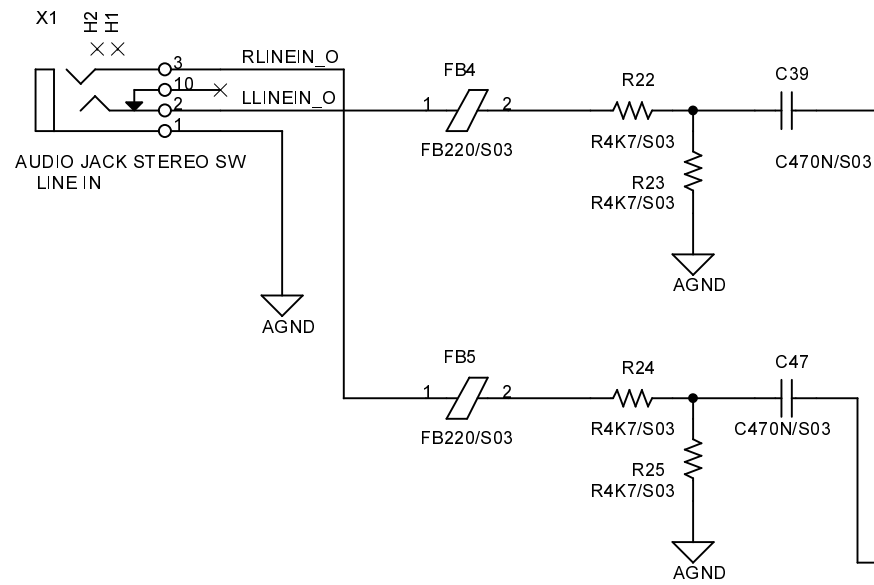
DSPdap-2
A DSP based Digital Audio Player
<http://dspdap.sourceforge.net>

Title: **MEMORY**

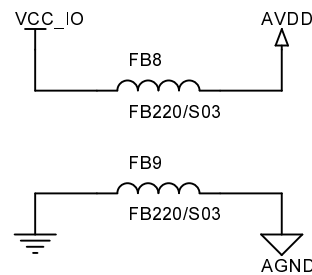
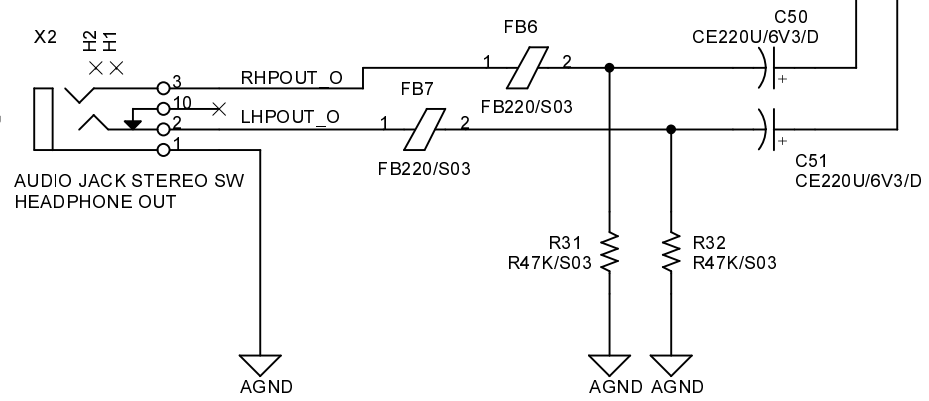
Size	Document Number	Author	Rev.
B	dspdap2/0.1	Roger Q.	0.1

Date: Thursday, May 01, 2008 Sheet 3 of 7

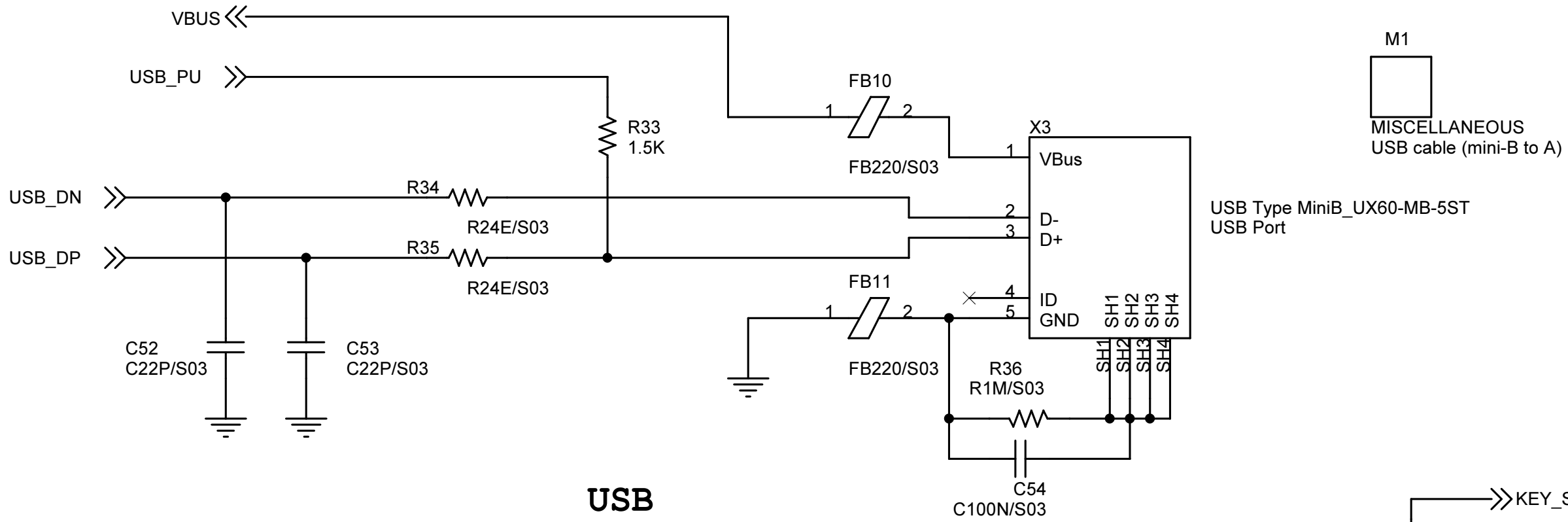
LINE IN



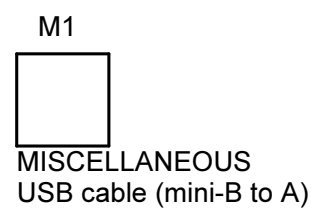
HEADPHONE OUT



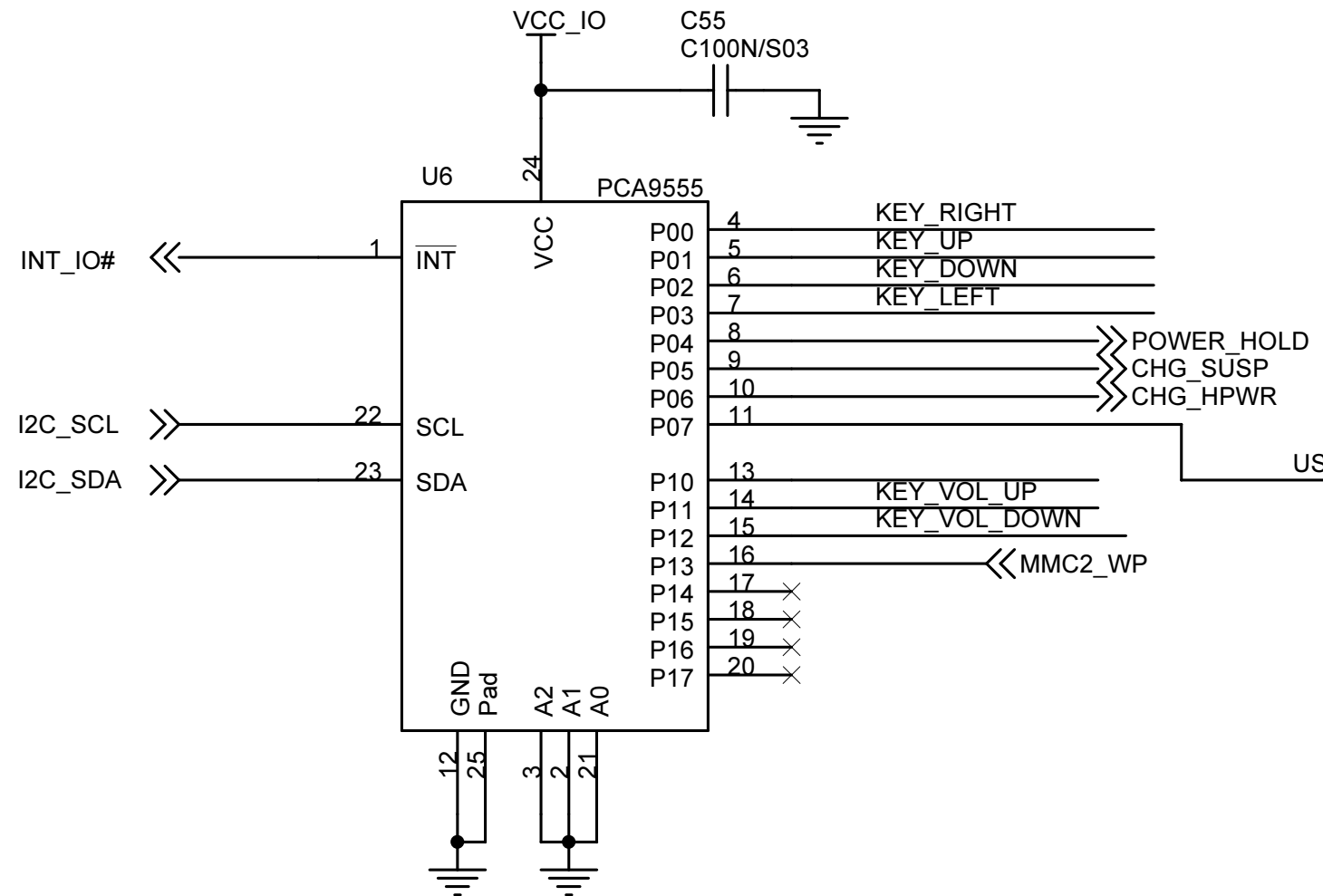
DSPdap-2 A DSP based Digital Audio Player http://dspdap.sourceforge.net				
Title: CODEC				
Size	Document Number	Author		Rev.
B	dspdap2/0.1	Roger Q.		0.1
Date:	Thursday, May 01, 2008	Sheet	4	of 7



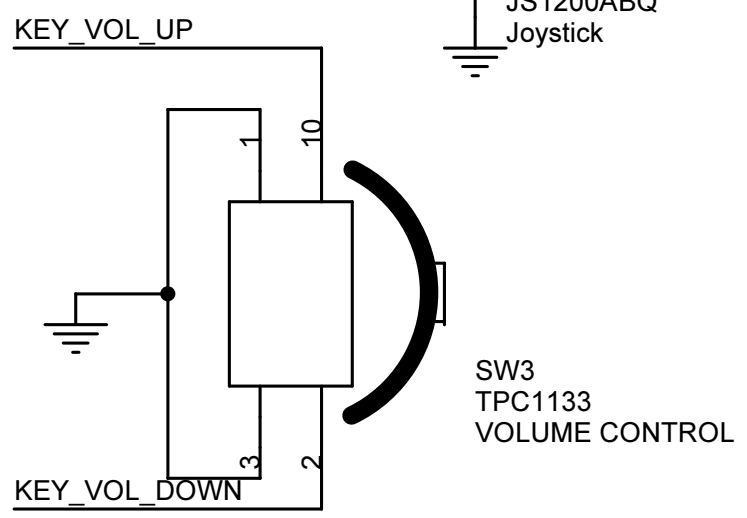
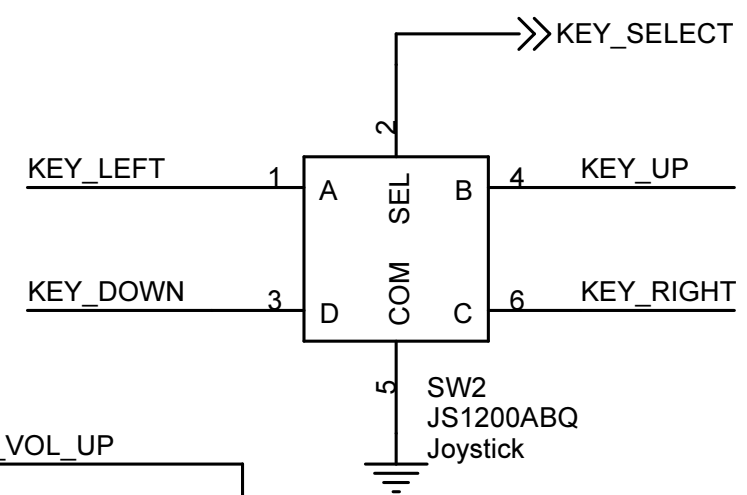
USB



USB Type MiniB_UX60-MB-5ST
USB Port



I2C ADDR: 0x20
I/O EXPANDER



DSPdap-2

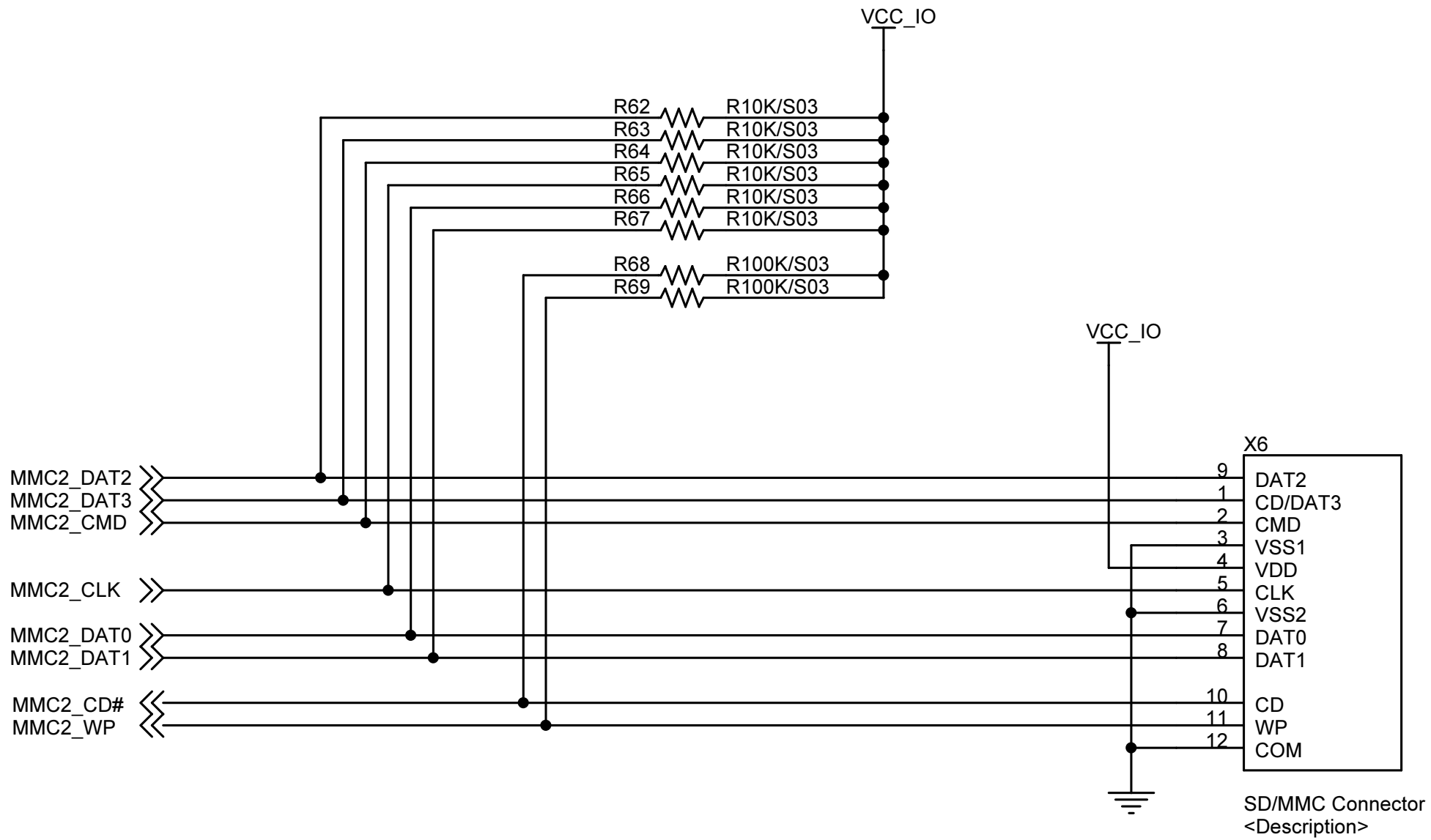
A DSP based Digital Audio Player

<http://dspdap.sourceforge.net>

Title: **USB & I/O**

Size	Document Number	Author	Rev.
A	dspdap2/0.1	Roger Q.	0.1

Date: Thursday, May 01, 2008 Sheet 5 of 7

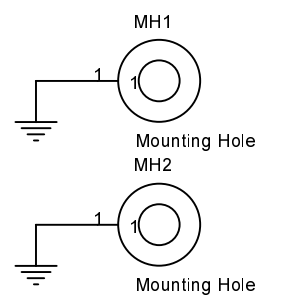


DSPdap-2

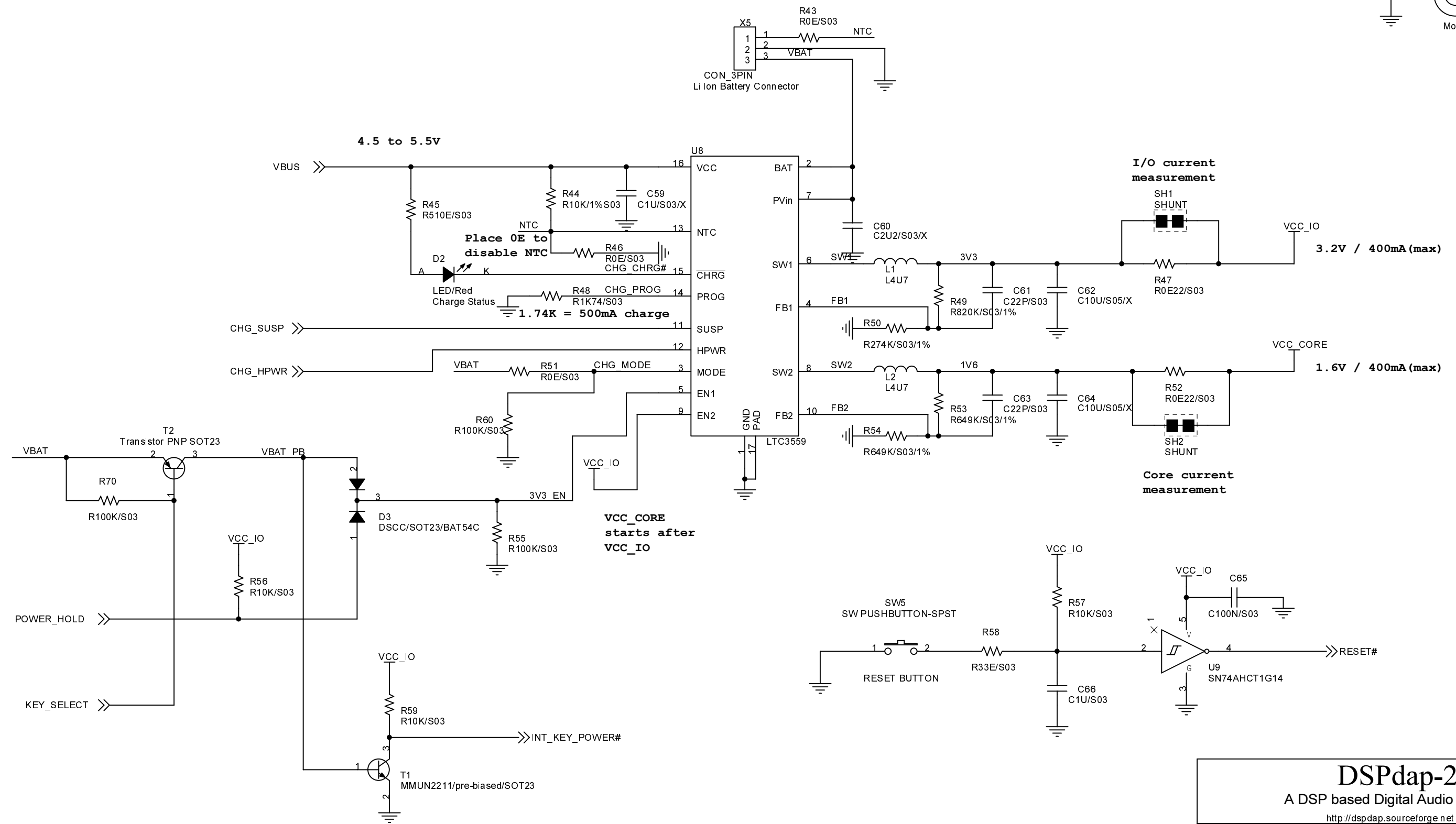
A DSP based Digital Audio Player

<http://dspdap.sourceforge.net>

Title:			
SD CARD			
Size	Document Number	Author	Rev.
A	dspdap2/0.1	Roger Q.	0.1
Date:	Thursday, May 01, 2008	Sheet	6 of 7



Use different values to program trip points



DSPdap-2			
A DSP based Digital Audio Player			
http://dspdap.sourceforge.net			
Title: POWER			
Size	Document Number	Author	Rev.
B	dspdap2/0.1	Roger Q.	0.1
Date:	Thursday, May 01, 2008	Sheet	7 of 7